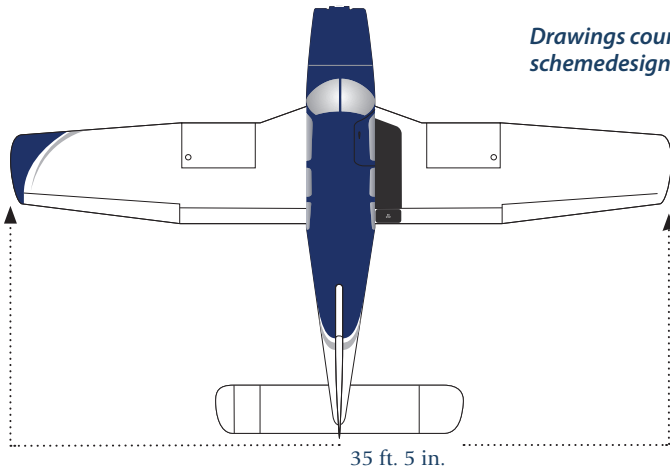
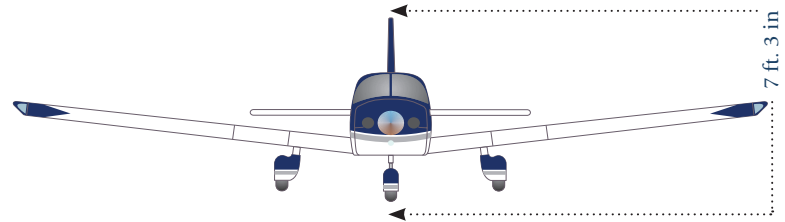
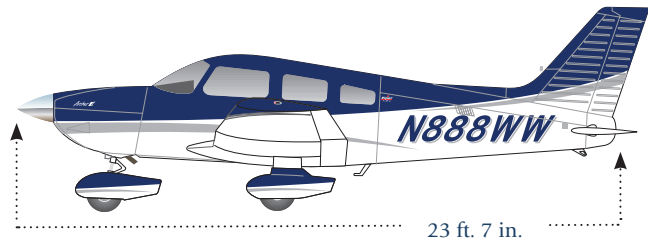


PIPER PA28-180/181 ARCHER



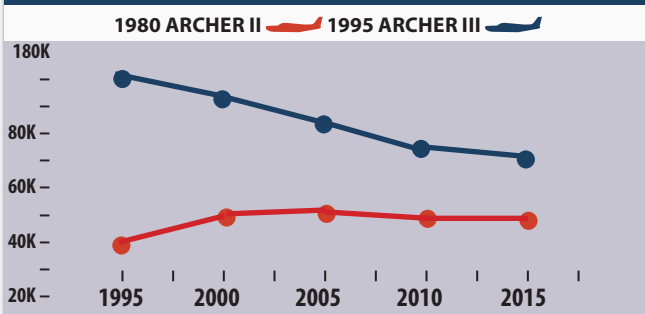
Drawings courtesy
schemedesigners.com



PIPER CHEROKEE 180/ARCHER SELECT MODEL HISTORY

| MODEL YEAR | ENGINE | TBO | OVERHAUL | FUEL | USEFUL LOAD | CRUISE | TYPICAL RETAIL |
|--------------------------------|----------------------|------|----------|------|-------------|---------|----------------|
| 1963-64 PA-28-180B | LYC. 180-HP O360-A3A | 2000 | \$21,000 | 50 | 1170 LBS | 124 KTS | ±\$28,500 |
| 1965-67 PA-28-180C | LYC. 180-HP O360-A3A | 2000 | \$21,000 | 50 | 1170 LBS | 124 KTS | ±\$31,000 |
| 1968-69 PA-28-180D | LYC. 180-HP O360-A3A | 2000 | \$21,000 | 50 | 1090 LBS | 124 KTS | ±\$35,000 |
| 1970 PA-28-180E | LYC. 180-HP O360-A3A | 2000 | \$21,000 | 50 | 1090 LBS | 124 KTS | \$38,000 |
| 1971-72 PA-28-180F | LYC. 180-HP O360-A3A | 2000 | \$21,000 | 50 | 1090 LBS | 124 KTS | ±\$42,000 |
| 1973 PA-28-180 CHALLENGER | LYC. 180-HP O360-A4A | 2000 | \$21,000 | 50 | 1055 LBS | 123 KTS | \$44,000 |
| 1974-75 PA-28-180 ARCHER | LYC. 180-HP O360-A4A | 2000 | \$21,000 | 50 | 1055 LBS | 123 KTS | ±\$45,000 |
| 1976-1994 PA-28-181 ARCHER II | LYC. 180-HP O360-A4M | 2000 | \$21,000 | 48 | 1134 LBS | 125 KTS | ±\$67,000 |
| 1995-2000 PA-28-181 ARCHER III | LYC. 180-HP O360-A4M | 2000 | \$21,000 | 48 | 1134 LBS | 125 KTS | \$95,000 |
| 2001-2005 PA-28-181 ARCHER III | LYC. 180-HP O360-A4M | 2000 | \$21,000 | 48 | 870 LBS | 125 KTS | \$130,000 |
| 2006-2010 PA-28-181 ARCHER III | LYC. 180-HP O360-A4M | 2000 | \$21,000 | 48 | 870 LBS | 125 KTS | \$195,000 |
| 2011-2014 PA-28-181 ARCHER LX | LYC. 180-HP O360-A4M | 2000 | \$20,000 | 48 | 870 LBS | 125 KTS | \$310,000 |

ARCHER RESALE VALUES



SELECT RECENT ADS

| | |
|-------------|-------------------------|
| AD 04-14-12 | CONTROL WHEEL HARDWARE |
| AD 99-05-09 | INDUCTION AIR FILTER |
| AD 96-10-03 | FLAP HANDLE ATTACH BOLT |
| AD 95-26-13 | OIL COOLER HOSES |
| AD-86-17-01 | AMMETER REPLACEMENT |

SELECT MODEL COMPARISONS

