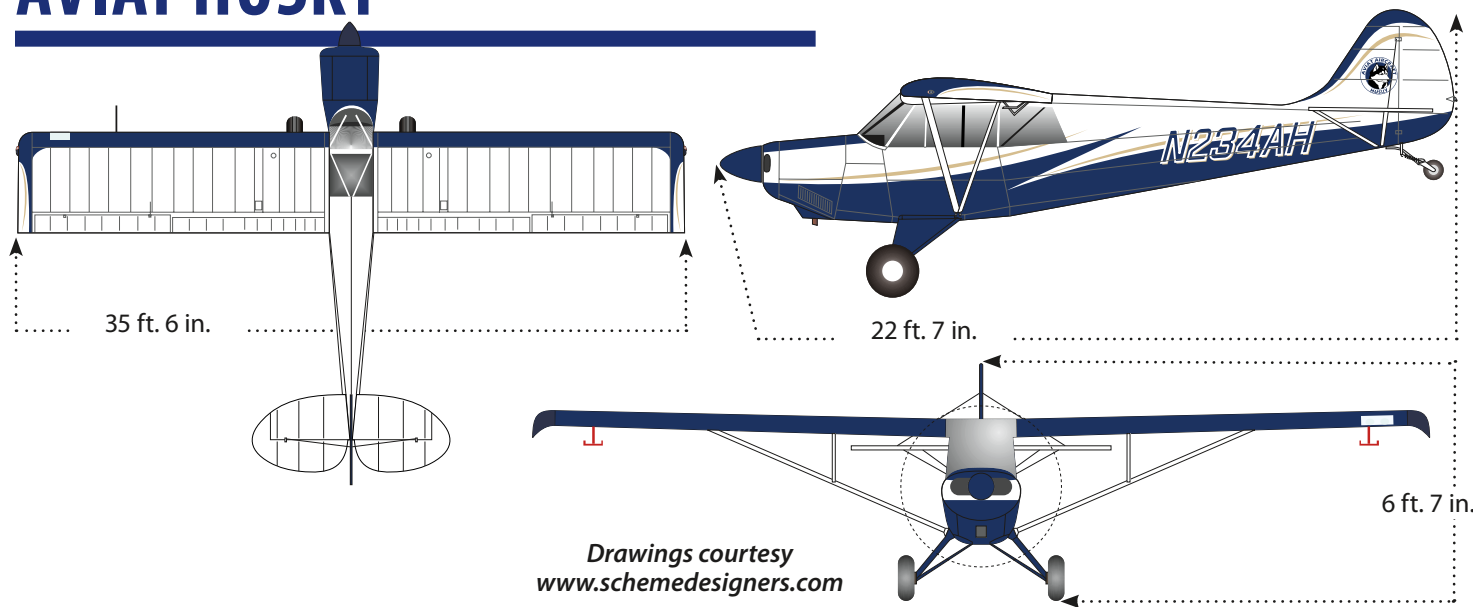


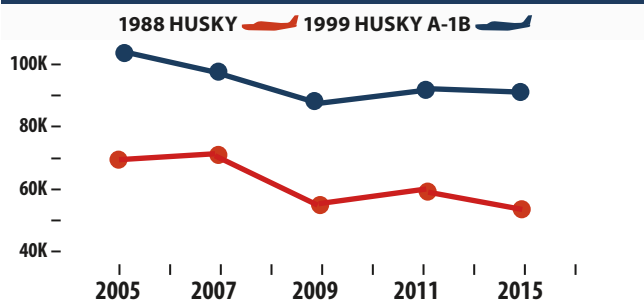
AVIAT HUSKY



HUSKY MODEL HISTORY

| MODEL YEAR | ENGINE | TBO | OVERHAUL | FUEL | USEFUL LOAD | CRUISE | TYPICAL RETAIL |
|--------------------|----------------------|------|----------|------|-------------|---------|----------------|
| 1988-89 HUSKY | 180-HP LYC O-360-C1G | 2000 | \$21,000 | 52 | 610 | 122 KTS | ±\$ 55,000 |
| 1990-93 HUSKY A-1 | 180-HP LYC O-360-C1G | 2000 | \$21,000 | 52 | 610 | 122 KTS | ±\$64,000 |
| 1994-96 HUSKY A-1 | 180-HP LYC O-360-A1P | 2000 | \$21,000 | 52 | 610 | 122 KTS | ±\$69,000 |
| 1997-99 HUSKY A-1 | 180-HP LYC O-360-A1P | 2000 | \$21,000 | 52 | 610 | 122 KTS | ±79,000 |
| 1999-02 HUSKY A-1A | 180-HP LYC O-360-A1P | 2000 | \$21,000 | 52 | 610 | 122 KTS | ±\$84,000 |
| 1999-01 HUSKY A-1B | 180-HP LYC O-360-A1P | 2000 | \$21,000 | 52 | 610 | 122 KTS | ±87,000 |
| 2002-05 HUSKY A-1B | 180-HP LYC O-360-A1P | 2000 | \$21,000 | 52 | 610 | 122 KTS | ±\$108,000 |
| 2006-08 HUSKY A-1B | 180-HP LYC O-360-A1P | 2000 | \$21,000 | 52 | 610 | 122 KTS | ±\$130,000 |
| 2010-13 HUSKY A-1C | 180-HP LYC O-360-A1P | 2000 | \$21,000 | 52 | 925 | 122 KTS | ±\$185,000 |

RESALE VALUES

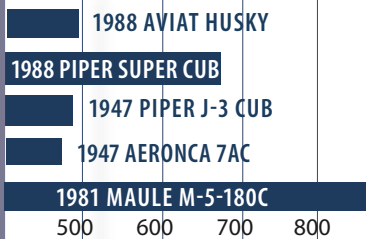


SELECT RECENT ADS

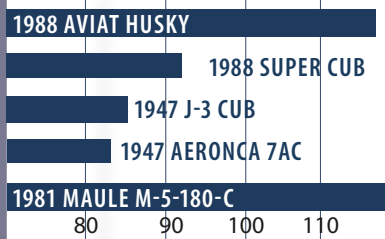
- AD 1991-23-02** CARBURETOR AIRBOX REPLACEMENT
- AD 1990-2025** FRONT SEATBACK WELD INSPECTION
- AD-97-04-03** ENGINE/PROP AD HARTZELL PROPS EDDY CURRENT INSPECTION
- AD 88-22-07** ENGINE AD/LYCOMING O-360 TYPE CYLINDER FROM ECI

SELECT MODEL COMPARISONS

PAYLOAD/FULL FUEL



CRUISE SPEEDS



PRICE COMPARISONS

