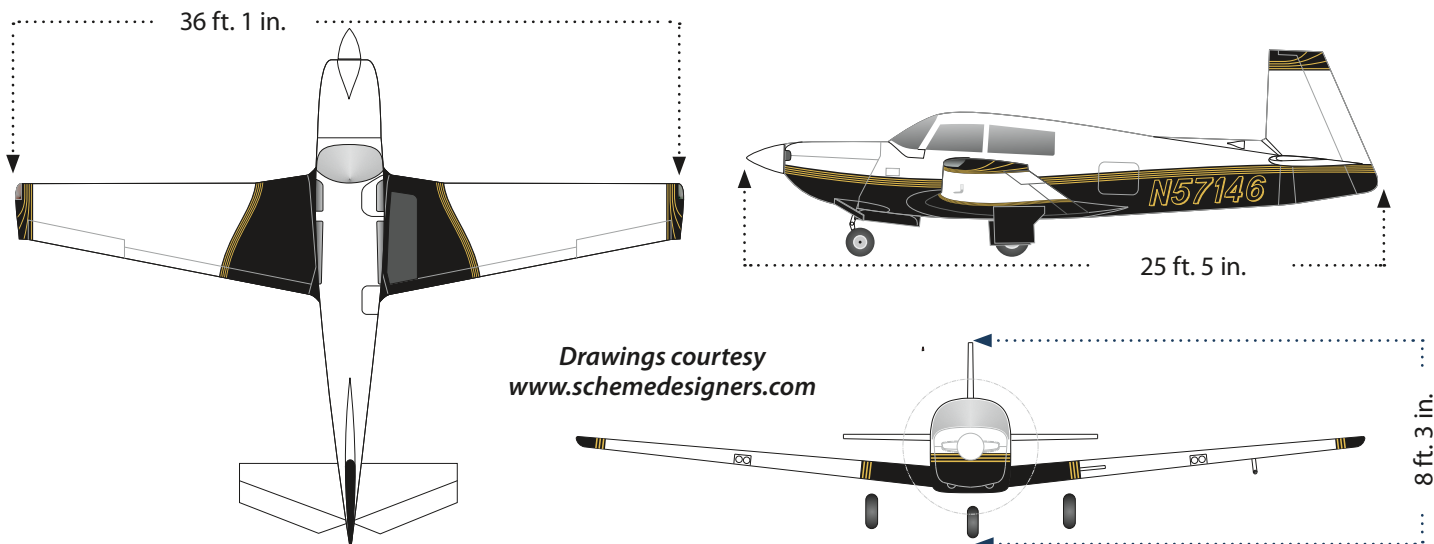


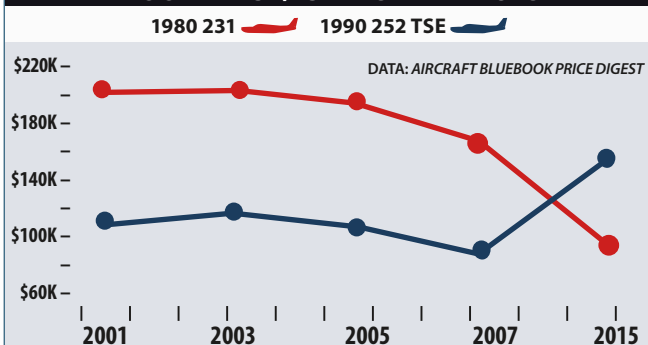
MOONEY 231/252



MOONEY 231/252 MODEL HISTORY

MODEL YEAR	ENGINE	TBO	OVERHAUL	FUEL	USEFUL LOAD	CRUISE	TYPICAL RETAIL
1979-1980 231 (M20K)	210-HP TCM TSIO-360-GB	1800	\$40,000	75	1100	191 KTS	±\$81,000
1981-1983 231 (M20K)	210-HP TCM TSIO-360-GB	1800	\$40,000	75	1100	191 KTS	±\$88,000
1984-1985 231 (M20K)	210-HP TCM TSIO-360-LB1B	1800	\$40,000	75	1100	191 KTS	±\$98,000
1985 231 L/M (M20K)	210-HP TCM TSIO-360-LB1B	1800	\$40,000	75	1100	191 KTS	±\$74,000
1986-1987 252TSE (M20K)	210-HP TCM TSIO-360-MB1	1800	\$40,000	75	1100	201 KTS	±\$125,000
1988-1989 252TSE (M20K)	210-HP TCM TSIO-360-MB1	1800	\$40,000	75	1100	201 KTS	±\$145,000
1990 252 TSE	210-HP TCM TSIO-360-MB1	1800	\$40,000	75	1100	201 KTS	±\$160,000
1997-1998 M20K ENCORE	220-HP TCM TSIO-360-SB	1800	\$45,000	80	1100	197 KTS	±\$172,000

MOONEY 231/252 RESALE VALUES

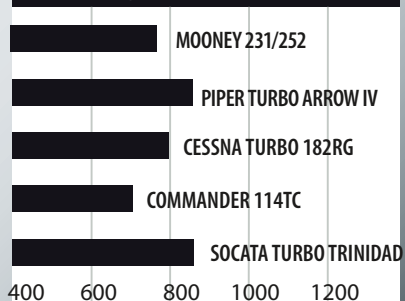


SELECT HISTORICAL ADS

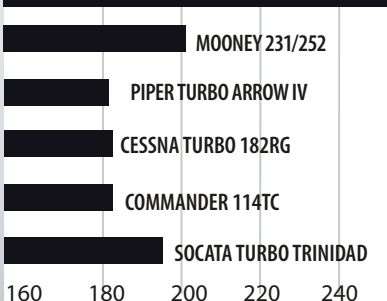
- AD 2009-24-52 INSPECT/REPLACE RECENTLY INSTALLED HYDRAULIC VALVE LIFTERS
- AD 98-24-11 INSPECT AILERON CONTROL LINKS FOR GUSSET OR CRACKS
- AD 98-21-26 INSPECT MAIN LANDING GEAR LEG BRACKET FOR CRACKS
- AD 95-17-06 INSPECT ROCKET CONVERSION EXHAUST AND TURBO MOUNT FOR CRACKS

SELECT LATE-MODEL COMPARISONS

PAYLOAD/FULL FUEL



CRUISE SPEEDS



PRICE COMPARISONS

