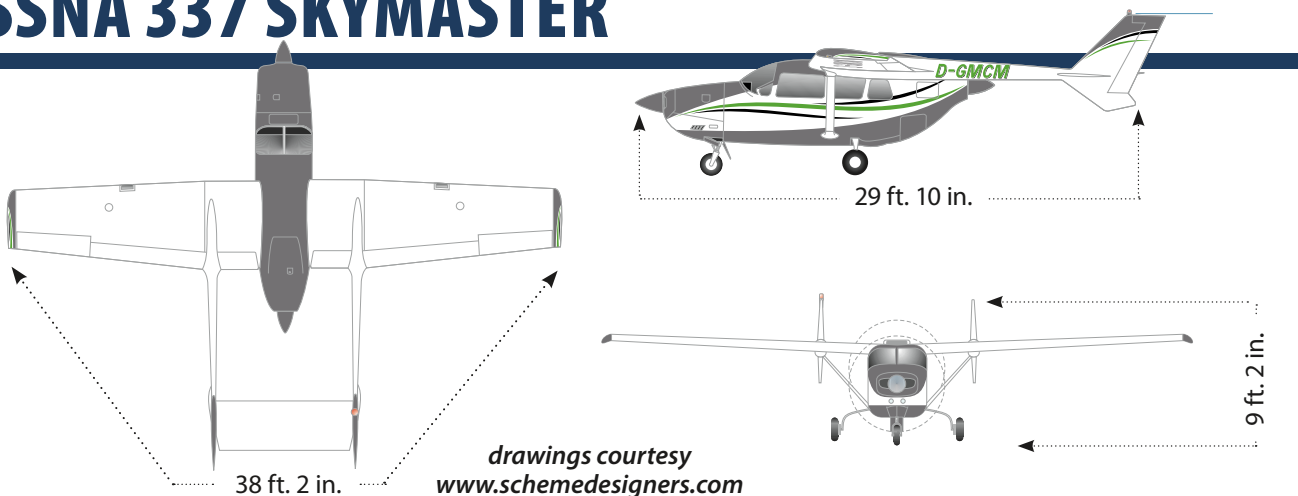


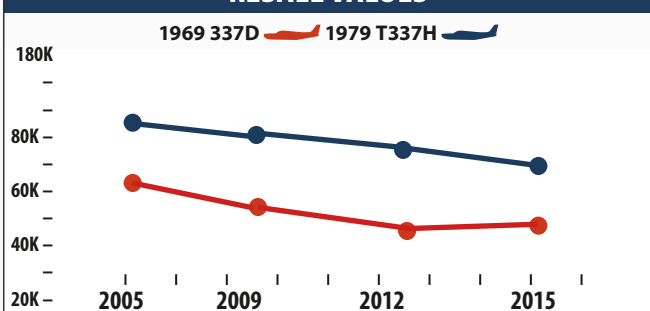
# CESSNA 337 SKYMASTER



## SELECT MODEL HISTORY

MODEL YEAR	ENGINE	TBO	OVERHAUL	FUEL	USEFUL LOAD	CRUISE	TYPICAL RETAIL
1963-67 337,A,B SKYMASTER	CONTINENTAL IO-360-C/D	1500	\$30,000	93	1585 LBS	167 KTS	±\$35,000
1968 337C SKYMASTER	CONTINENTAL IO-360-C/D	1500	\$30,000	93	1750 LBS	166 KTS	±\$40,000
1968 T-337C TURBO SKYMASTER	CONTINENTAL TSIO-360A/B	1400	\$30,000	93	1705 LBS	195 KTS	±\$45,000
1969-70 337D,E SKYMASTER	CONTINENTAL IO-360-C	1500	\$30,000	93	1780 LBS	166 KTS	±\$42,000
1970 337E-T TURBO SKYMASTER	CONTINENTAL TSIO-360-A	1400	\$30,000	93	1780 LBS	194 KTS	±\$49,000
1971-73 337,F, G SKYMASTER II	CONTINENTAL IO-360-G	1500	\$30,000	90	1705 LBS	169 KTS	±\$51,000
1975 T-337G-P PRESSURIZED SKYMASTER II	CONTINENTAL TSIO-360-C	1400	\$30,000	150	1516 LBS	204 KTS	±\$68,000
1976-77 337 G II SKYMASTER	CONTINENTAL IO-360-G	1500	\$30,000	150	1705 LBS	169 KTS	±\$69,000
1978-1979 337 H II SKYMASTER	CONTINENTAL IO-360-GB	1500	\$30,000	150	1592 LBS	169 KTS	±\$83,000
1978-1979 T-337 H II SKYMASTER	CONTINENTAL TSIO-360-H	1400	\$30,000	150	1596 LBS	200 KTS	±\$88,000
1980 337H SKYMASTER II	CONTINENTAL IO-360-GB	1500	\$30,000	90	1705 LBS	169 KTS	±\$78,000
1980 T-337H TURBO SKYMASTER II	CONTINENTAL TSIO-360-HB	1400	\$30,000	90	1592 LBS	200 KTS	±\$93,000
1980 T-337H-P PRESSURIZED SKYMASTER II	CONTINENTAL TSIO-360-CB	1400	\$30,000	150	1516 LBS	204 KTS	±\$95,000

## RESALE VALUES



## SELECT RECENT ADS

- AD 2011-15-11 WING DAMAGE INSPECTION
- AD2011-10-09 SEAT RAILS AND ROLLERS
- AD 200704-19 SUPERIOR AIR PARTS CYLINDERS
- AD 2004-21-05 INSPECT COMBUSTION HEATERS
- AD 2004-19-01 SHOULDER HARNESS ADJUSTORS

## SELECT MODEL COMPARISONS

PAYLOAD/FULL FUEL	CRUISE SPEEDS	PRICE COMPARISONS
CESSNA 337H	CESSNA 337H	1980 337H (\$78,000)
CESSNA T337H	CESSNA T337H	1980 T337H (\$93,000)
PIPER SEMINOLE	PIPER SEMINOLE	1980 SEMINOLE (\$65,000)
PIPER TWIN COMANCHE	TWIN COMANCHE	1972 TWIN COMANCHE (\$90,000)
BEECH DUCHESS	BEECH DUCHESS	1980 DUCHESS (\$70,000)