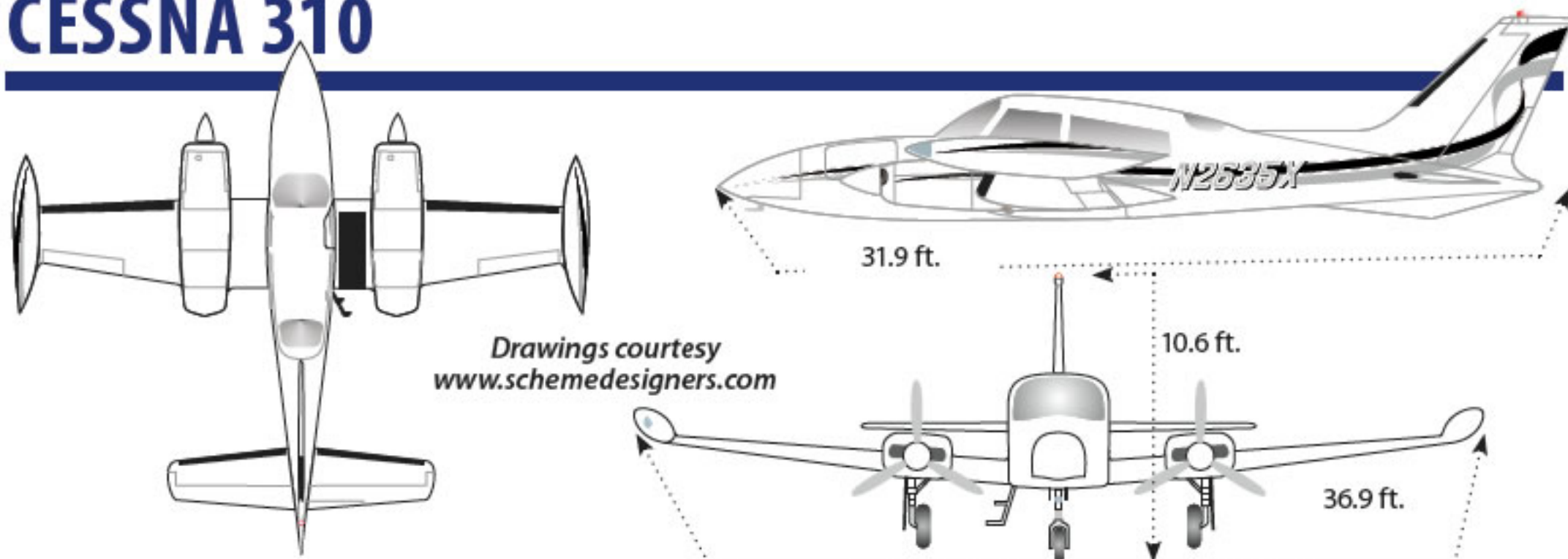


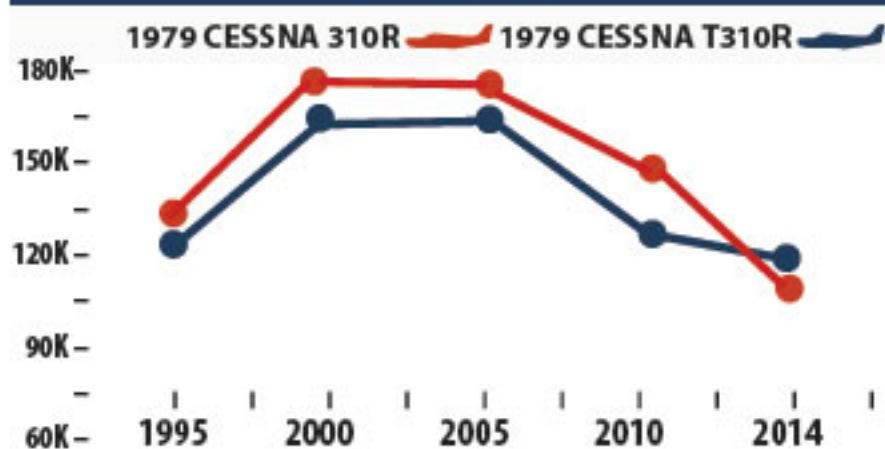
CESSNA 310



CESSNA 310 MODEL HISTORY

MODEL YEAR	ENGINE	TBO	OVERHAUL	FUEL	USEFUL LOAD	CRUISE	TYPICAL RETAIL
1955-1958 CESSNA 310, A,B	CONT O-470-B,M 240 HP	1500	\$25,000	100	1750 LBS	178 KTS	±\$28,000
1959-1961 CESSNA 310 C-F	CONT O-470-D 260 HP	1500	\$30,000	100/132	1751 LBS	191 KTS	±\$35,000
1962-1963 CESSNA 310 G,H	CONT O-470-D 260 HP	1500	\$30,000	100/132	2037 LBS	191 KTS	±\$41,000
1964-1965 CESSNA 310 I,J	CONT O-470-U 260 HP	1500	\$30,000	100/132	2037 LBS	194 KTS	±\$46,000
1966-1967 CESSNA 310 K,L	CONT O-470-V 260 HP	1500	\$30,000	100/142	1975 LBS	193 KTS	±\$53,000
1968 CESSNA 310 N	CONT O-470-V 260 HP	1500	\$30,000	100/182	2075 LBS	193 KTS	±\$56,000
1969 CESSNA 310 P	CONT O-470-VO 260 HP	1500	\$30,000	100/182	2030 LBS	193 KTS	±\$61,000
1969 CESSNA T-310 P	CONTTSIO-520-B 285 HP	1400	\$35,000	102/184	2108 LBS	225 KTS	±\$73,000
1970-1974 CESSNA 310 Q	CONT O-470-VO 260 HP	1500	\$30,000	100/203	2086 LBS	192 KTS	±\$76,000
1970-1974 CESSNA T-310 Q	CONTTSIO-520-B 285 HP	1400	\$35,000	100/184	2108 LBS	225 KTS	±\$87,000
1975-1981 CESSNA 310 R	CONT IO-520M 285 HP	1700	\$30,000	102/207	2047 LBS	194 KTS	±\$108,000
1975-1981 CESSNA T-310 R	CONTTSIO-520-B 285 HP	1400	\$35,000	102/207	1777 LBS	223 KTS	±\$118,000

RESALE VALUES



SELECT ADs

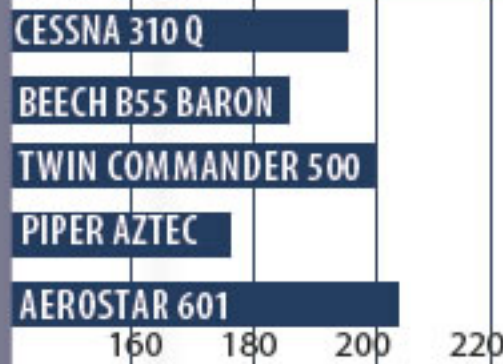
- AD 90-02-13 MAIN GEAR STRUT BEARINGS
- AD 76-08-02 TIP TANK/STROBE LIGHT
- AD 73-07-07 FUEL LINE, WIRING CHAFING
- AD 72-03-07 LANDING GEAR UPPER STRUTS
- AD 69-15-09 MINIMUM FUEL PLACARD

SELECT MODEL COMPARISONS

PAYLOAD/FULL FUEL



CRUISE SPEEDS



PRICE COMPARISONS

